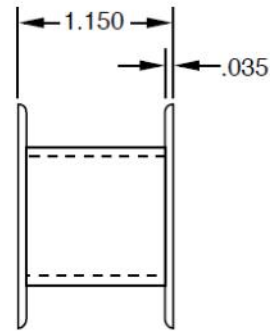
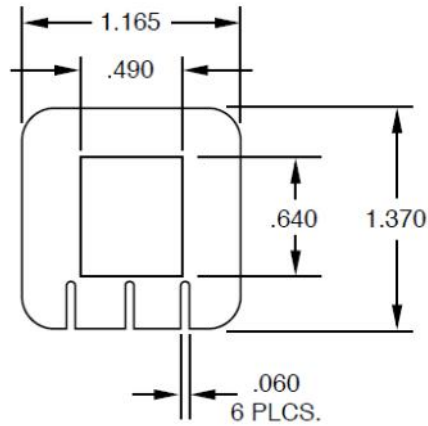


Part #: 6239

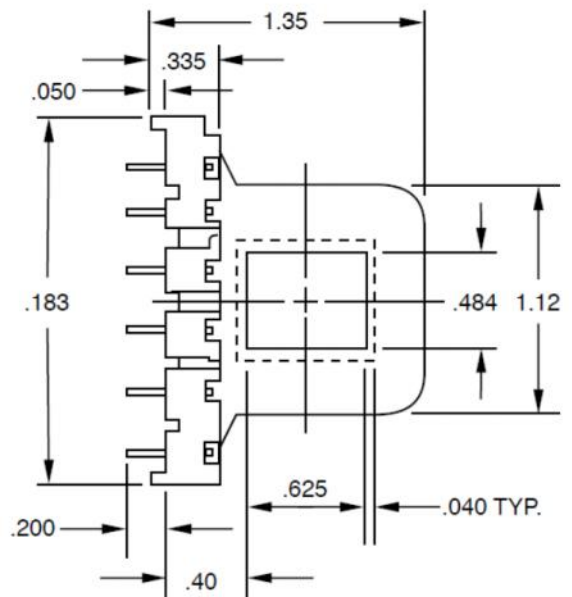
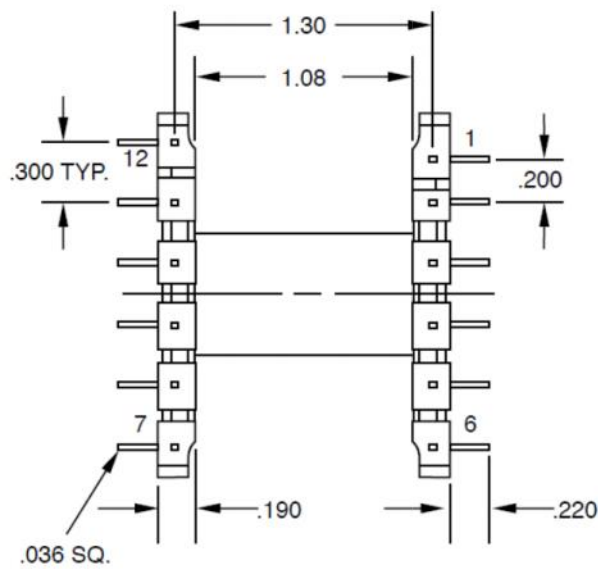
E 42 x 15



Part #: 2124

E 42 x 15

Uses .036 Square Wire

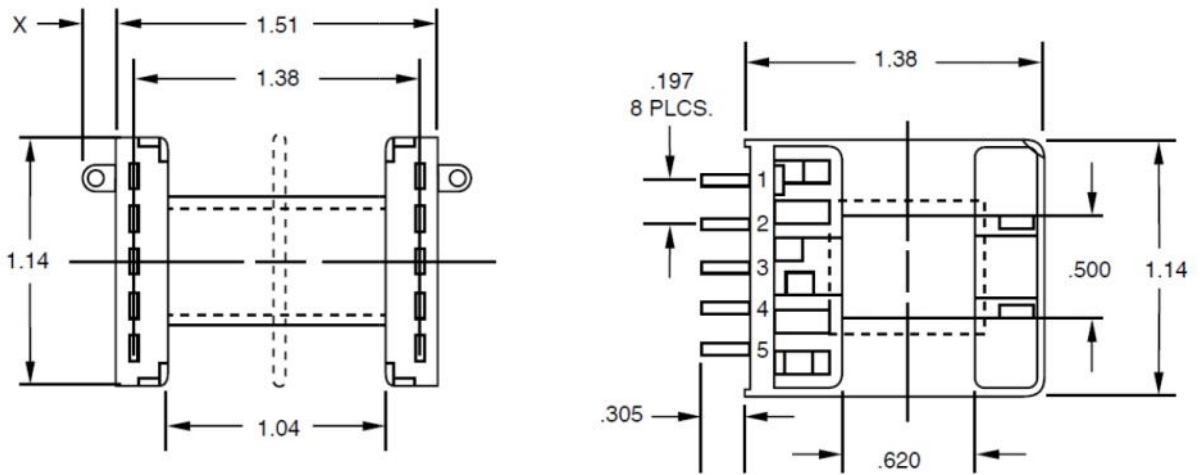


Part #: 2106
 2107

Part # With 10 Terminals	Sections
2106-01	1
2107-01	2

E 42 x 15

X dimension .125"

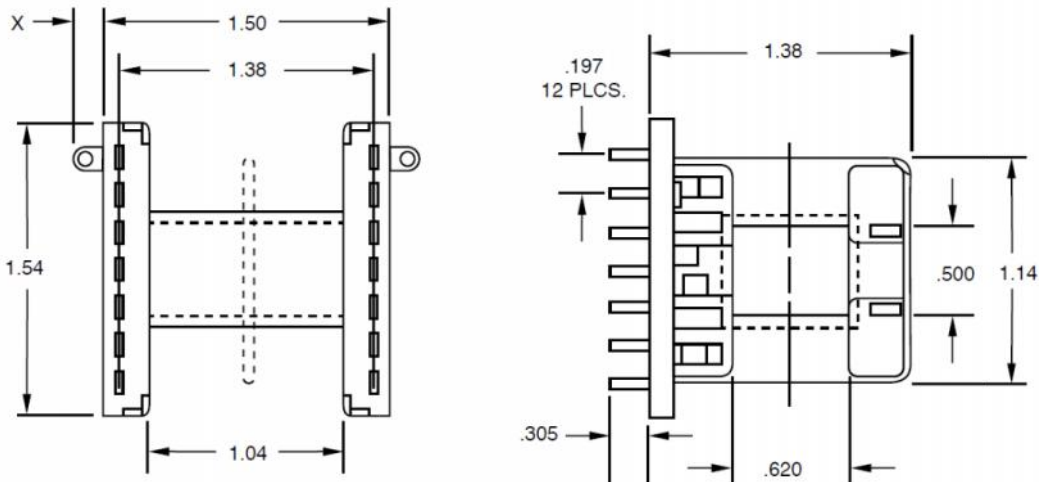


Part #: 2108
 2109

Part # With 14 Terminals	Sections
2108-01	1
2109-01	2

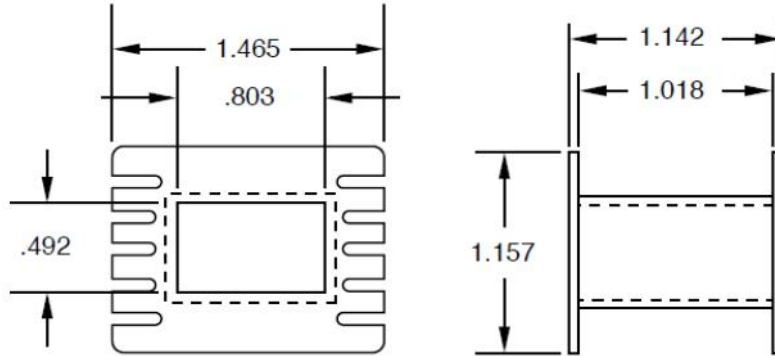
E 42 x 15

X dimension .125"



Part #: 6240

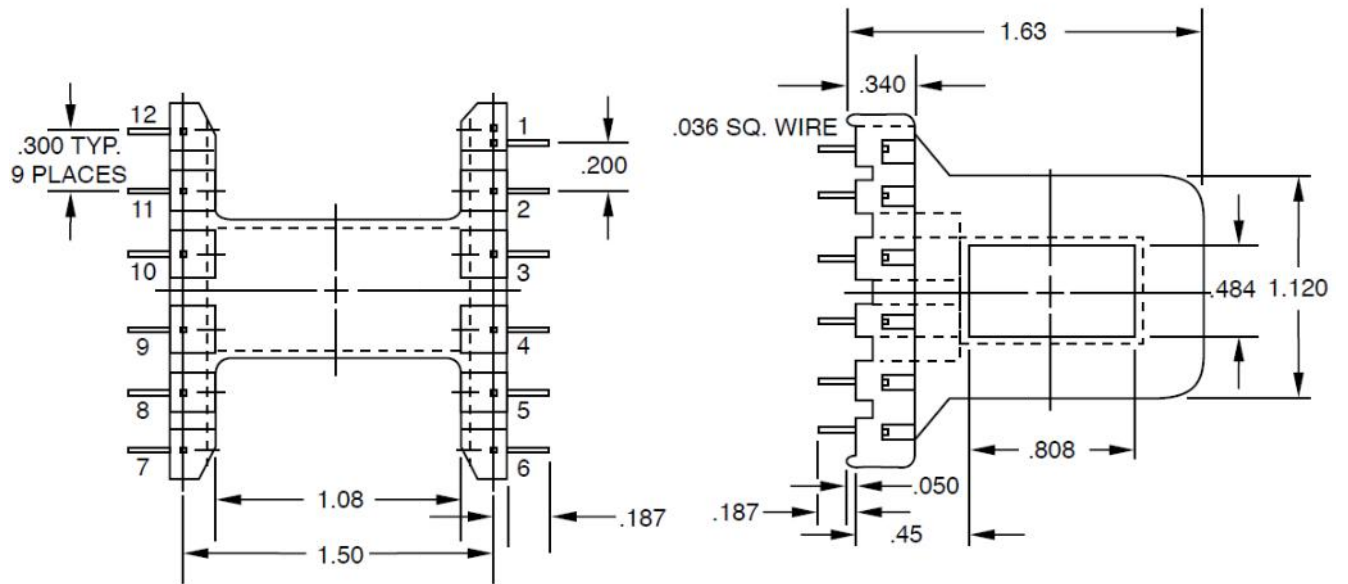
E 42 x 20



Part #: 2120

E 42 x 20

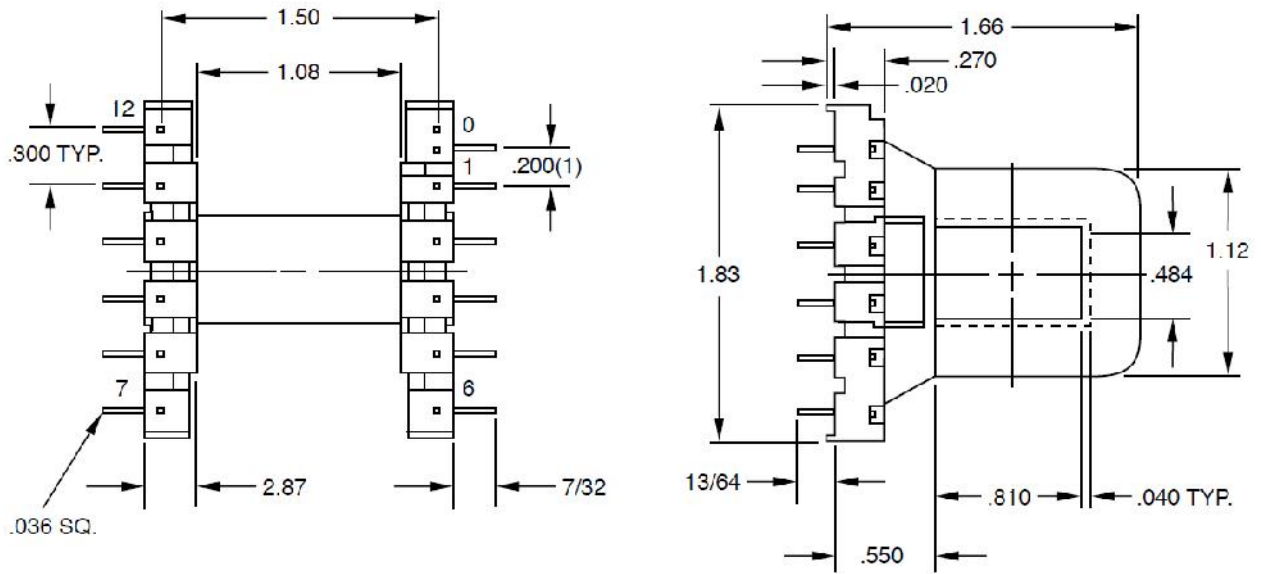
Uses .036 Square Wire



Part #: 2140

Part # With 12 Wires
2140-01

E 42 x 20

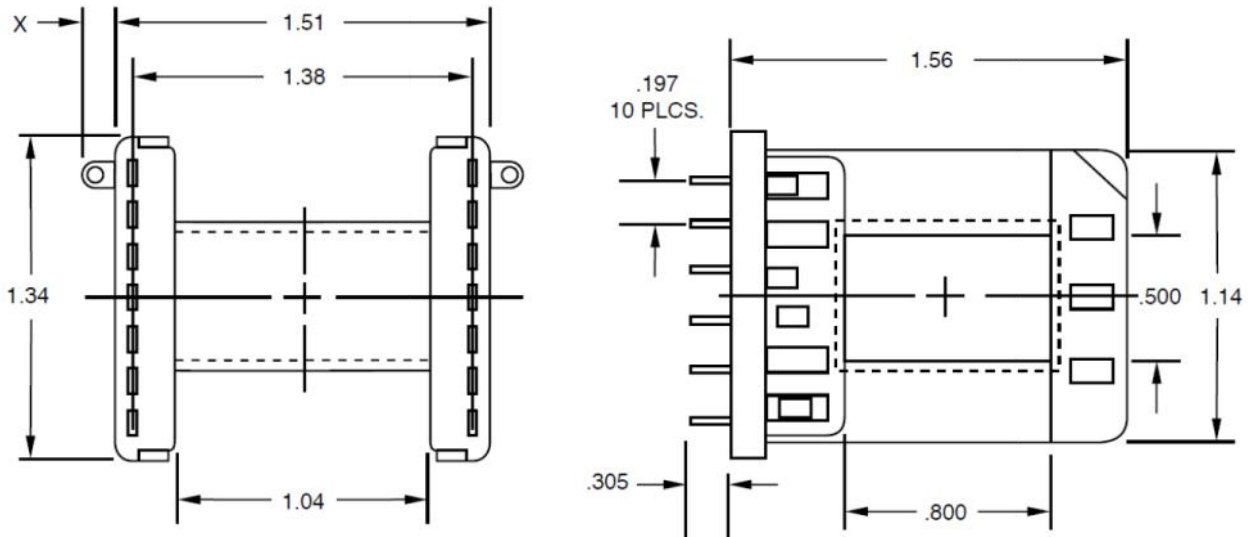


Part #: 2110

Part # With 12 Terminals
2110-01

E 42 x 20

X dimension .125"





511 East Pine Avenue Bensenville IL 60106

Phone: 847-671-0060

Fax: 847-671-0694

Email: tjainfo@tjassemblies.com

Website: www.tjassemblies.com

Part #: 2112

Part #
With 12 Terminals
2112-01

E 42 x 20

X dimension .125"

