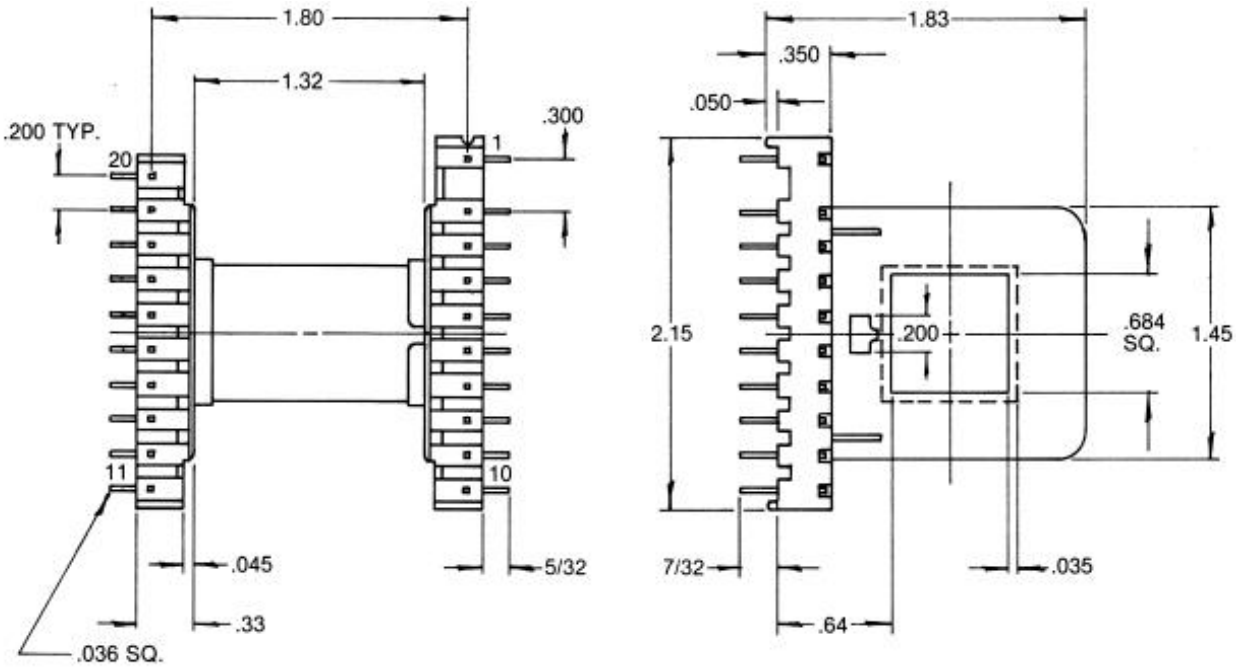


Part #: 2138

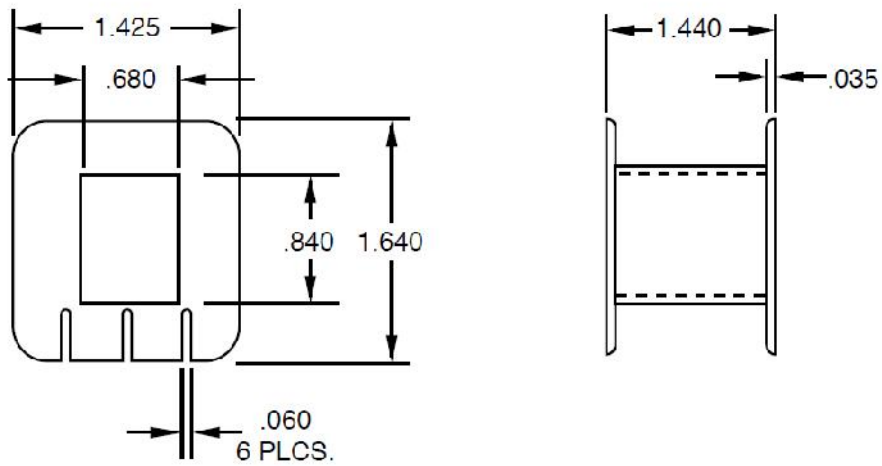
Part # With 20 Wires 2138-01
------------------------------------

E 55 x 17.2



Part #: 6241

E 55 x 21





511 East Pine Avenue Bensenville IL 60106

Phone: 847-671-0060

Fax: 847-671-0694

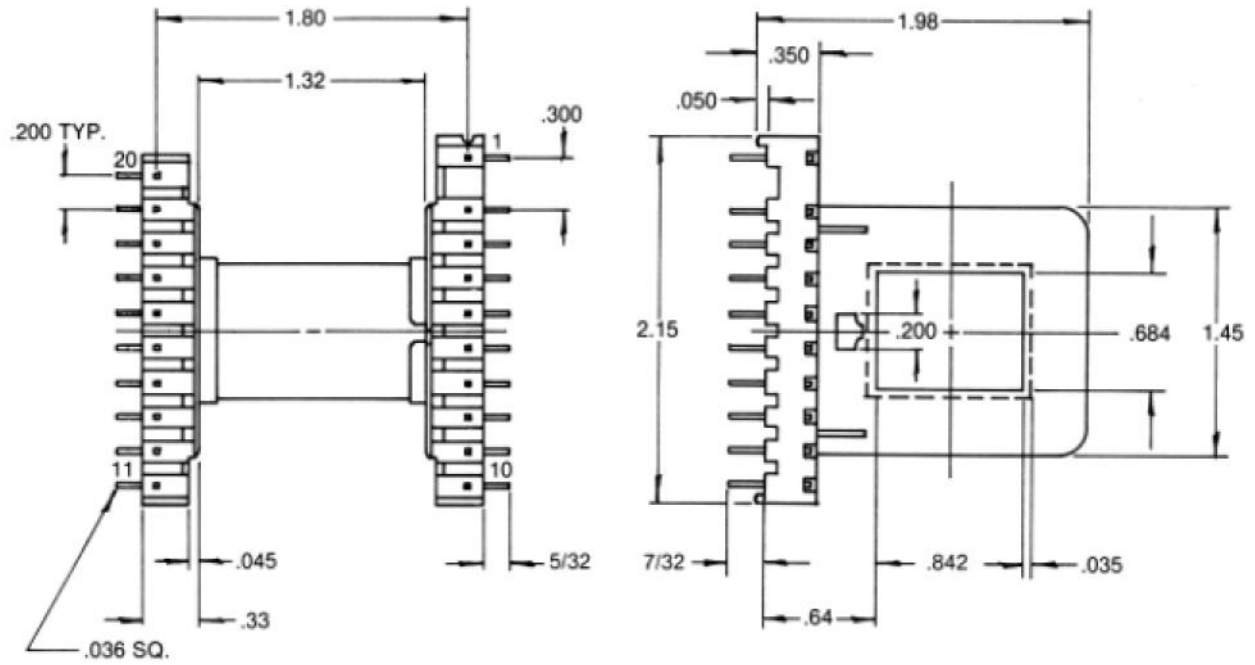
Email: [tjainfo@tjassemblies.com](mailto:tjainfo@tjassemblies.com)

Website: [www.tjassemblies.com](http://www.tjassemblies.com)

Part #: 2139

Part # With 20 Wires
2139-01

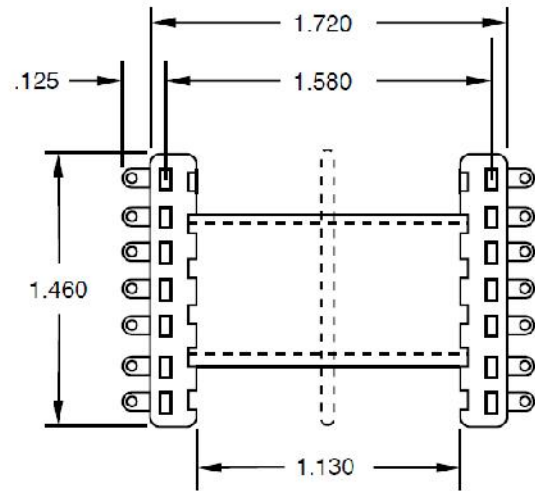
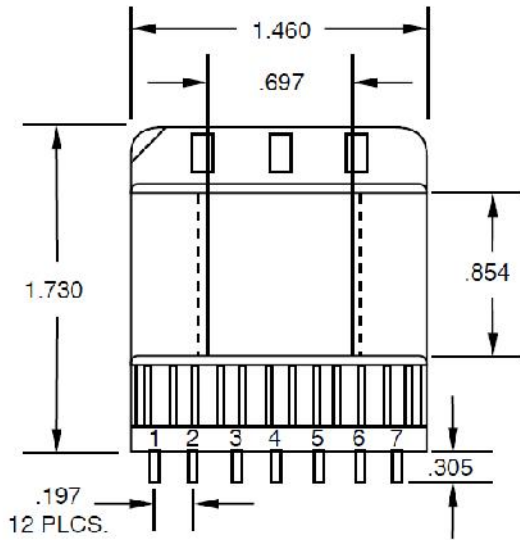
E 55 x 21



Part #: 2114  
2115

Part # With 14 Terminals	Sections
2114-01	1
2115-01	2

E 55 x 21



Part #: 2116  
2117

Part # With 22 Terminals	Sections
2116-01	1
2117-01	2

E 55 x 21

