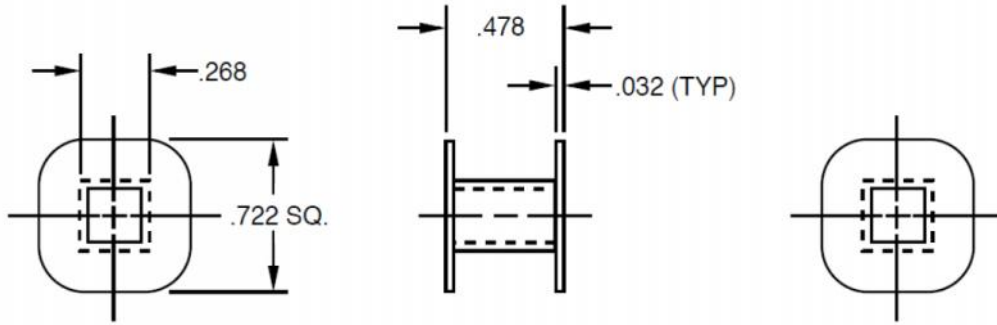


# EE 24-25 Bobbins

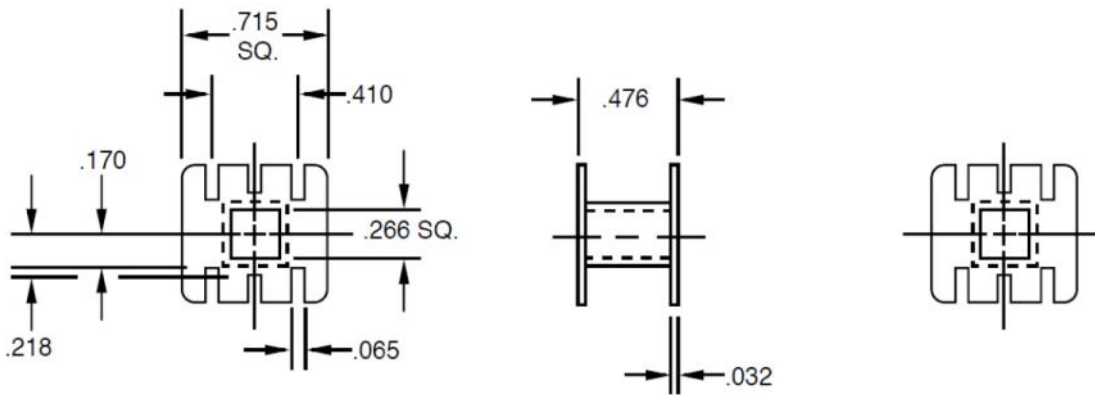
Part #: 6150

EE 24-25 x 1/4



Part #: 6151

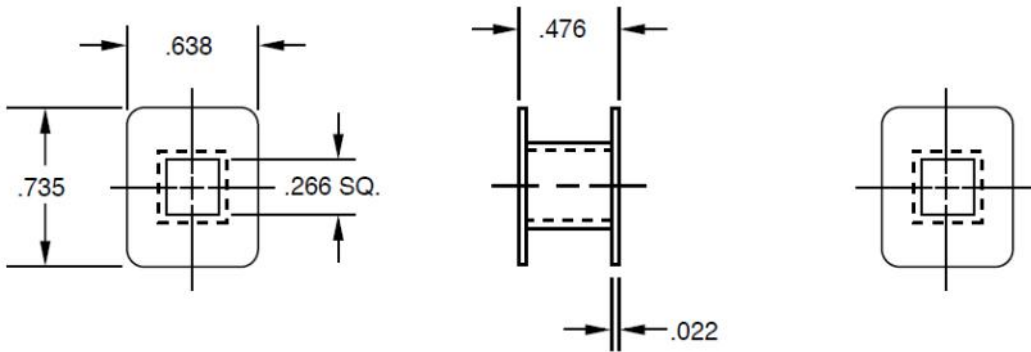
EE 24-25 x 1/4



# EE 24-25 Bobbins

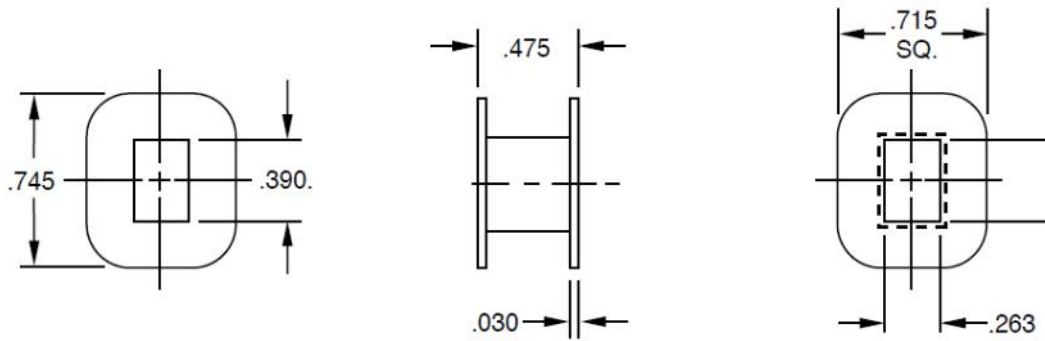
Part #: 6152

EE 24-25 x 1/4



Part #: 6153

EE 24-25 x 3/8

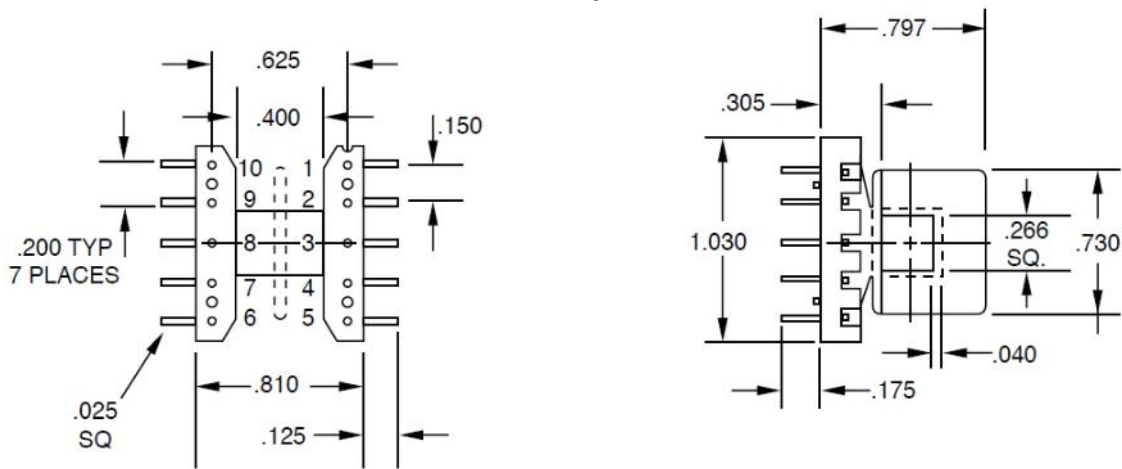


Part #'s: 1111  
1112  
1113  
1114

EE 24-25 x 1/4

Part # With 10 Wires	Sections	Standoffs
1111-01	1	No
1112-01	1	Yes
1113-01	2	No
1114-01	2	Yes

Uses .025 Square Wire



# EE 24-25 Bobbins

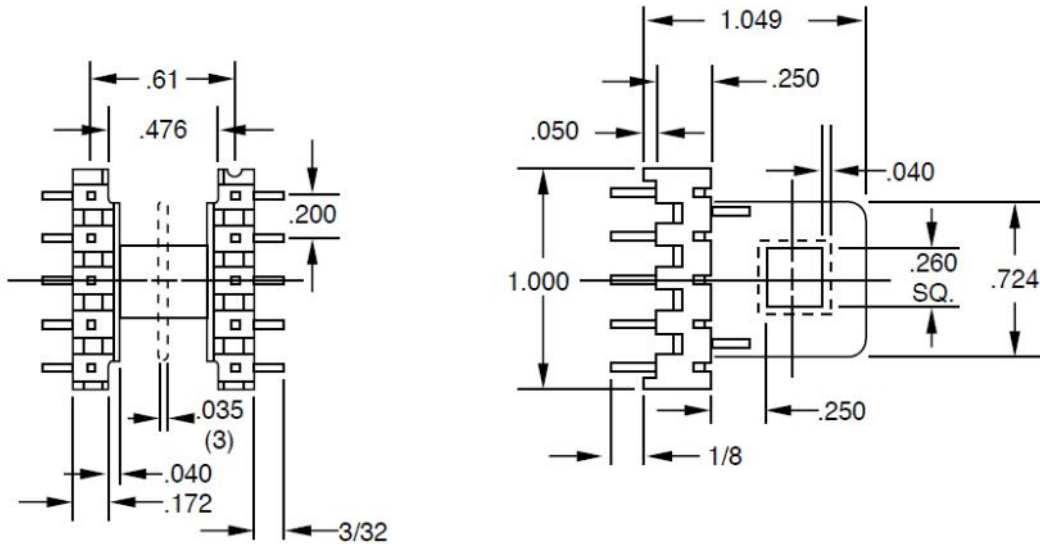
Part #: 1117  
1118

1 SEC  
2 SEC

<b>Part #</b> <b>With 10 Wires</b>
1117-01

EE 24-25 x 1/4

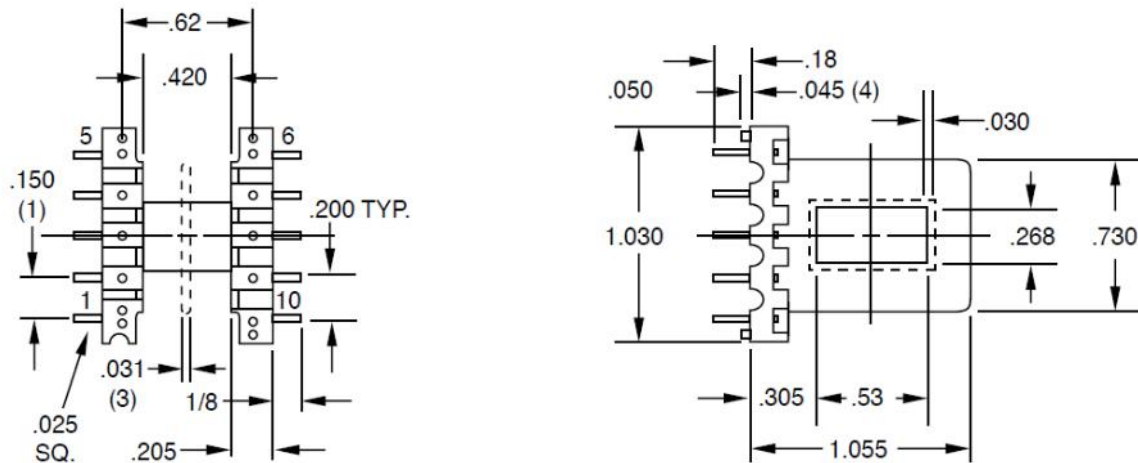
Uses .029 Square Wire



Part #'s: 1311  
1312

Part # With 10 Wires	Sections
1311-01	1
1312-01	2

EE 24-25 x 1/2

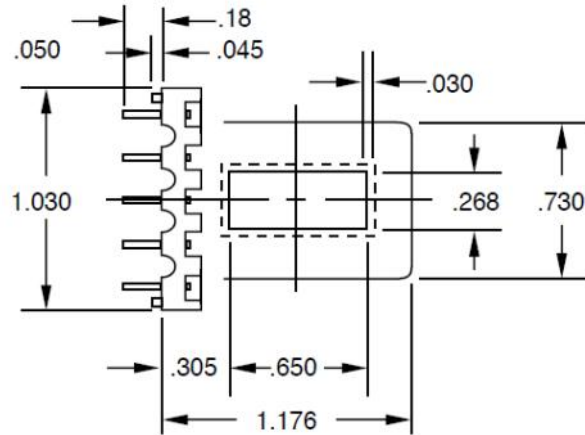
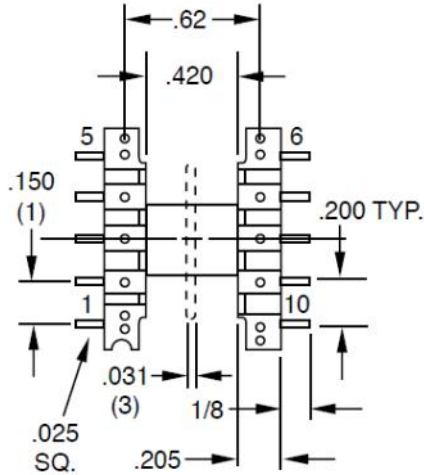


# EE 24-25 Bobbins

Part #'s: 1313  
1314

Part # With 10 Wires	Sections
1313-01	1
1314-01	2

EE 24-25 x  
5/8

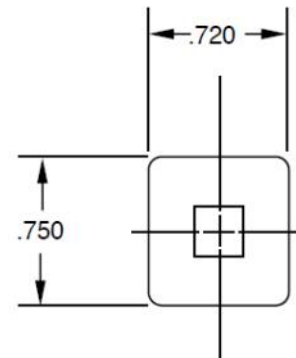
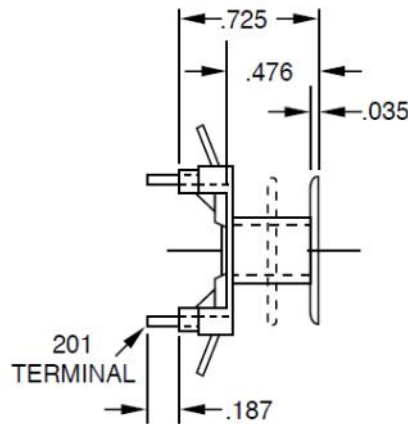
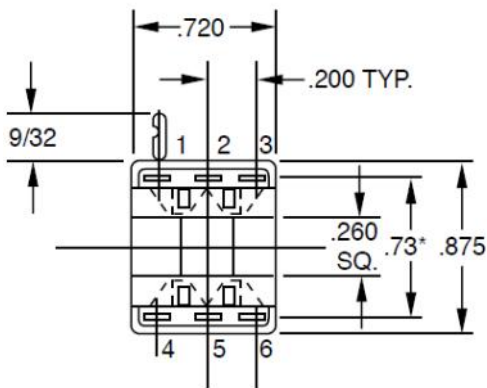


Part #'s: 1011  
1012

Part # With 6 Terminals	Sections	Standoffs
1011-01	1	No
1012-01	2	No

EE 24-25 x 1/4

Uses Terminal #: 201



\*REFERENCE DIM. BASED ON LUG POCKET CENTERS

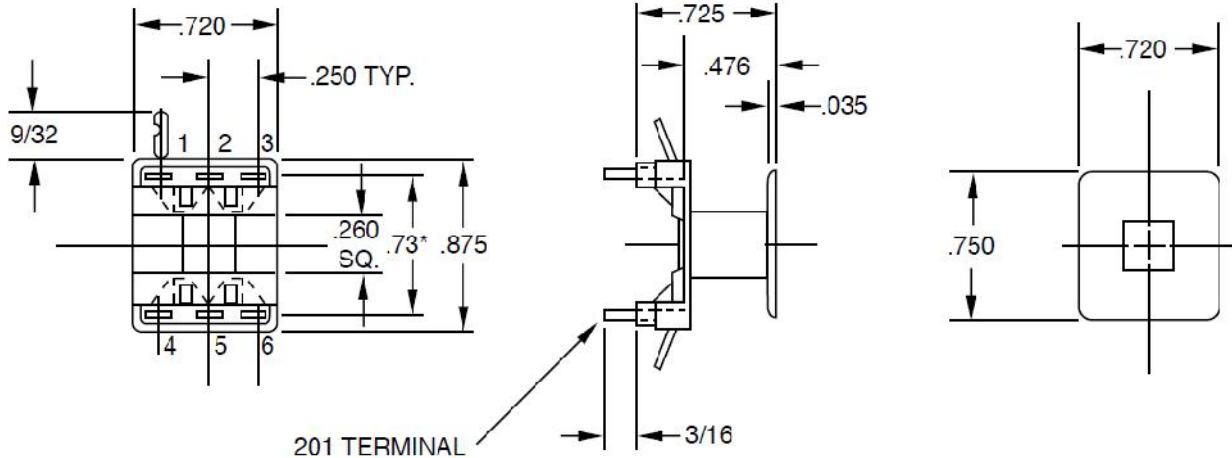
# EE 24-25 Bobbins

Part #: 1021

Part # With 6 Terminals	Sections	Standoffs
1021-01	1	No

EE 24-25 x 1/4

Uses Terminal #: 201



201 TERMINAL  
\*REFERENCE DIM. BASED ON LUG POCKET CENTERS

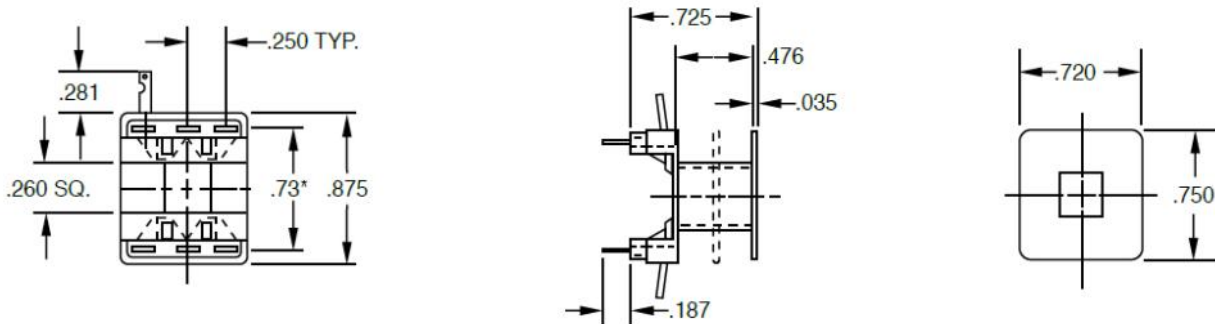
Part #'s: 1022  
1023

Part # With 6 Terminals	Sections	Standoffs
1022-01	1	No
1023-01	2	No

EE 24-25 x 1/4

Uses Terminal #: 201

Insulated Lead Slots



\*REFERENCE DIM. BASED ON LUG POCKET CENTERS

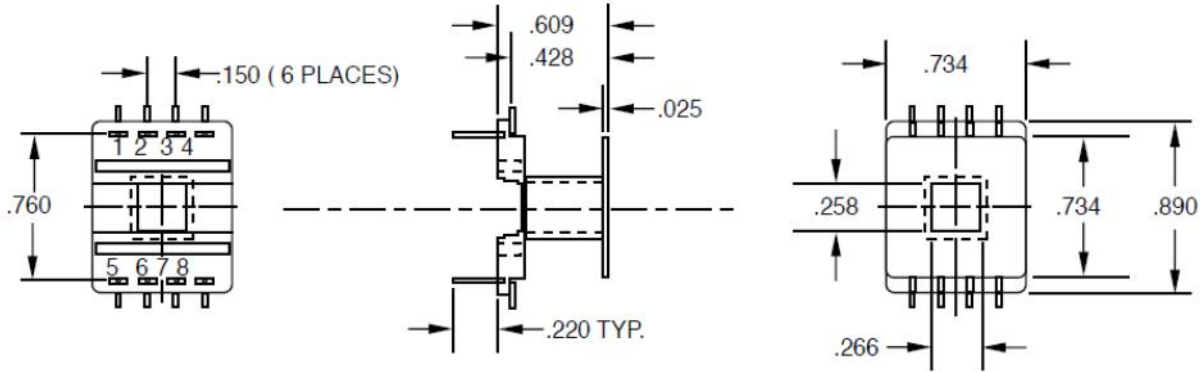
# EE 24-25 Bobbins

Part #: 1025

Part #	Sections	Standoffs
1025-01	1	No

EE 24-25 x 1/4

Uses Terminal #: 311

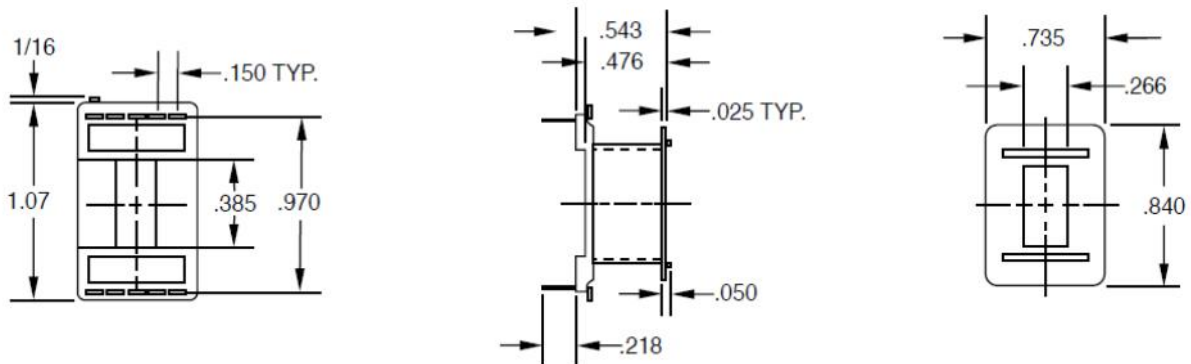


Part #: 1026

Part #	Sections	Standoffs
1026-01	1	No

EE 24-25 x 3/8

Uses Terminal #: 323



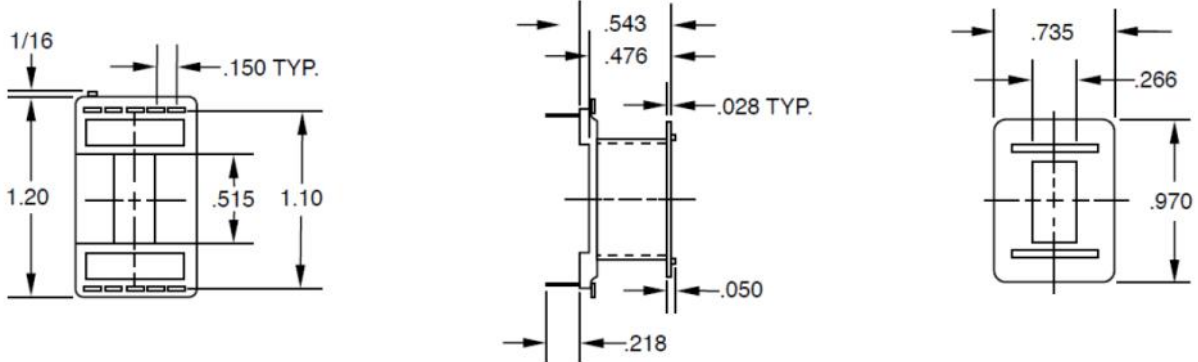
# EE 24-25 Bobbins

Part #: 1027

Part # With 10 Terminals	Sections	Standoffs
1027-01	1	No

EE 24-25 x 1/2

Uses Terminal #: 323



Part #: 3001

Part # With 6 Terminals	Terminal #
3001-01	711
3001-06	703

EE 24-25 x 1/4

