

# Vertical PC Bobbins

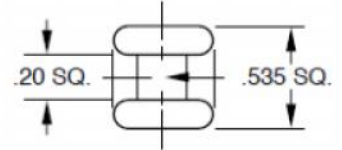
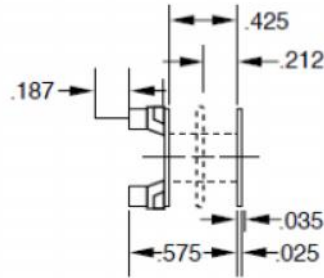
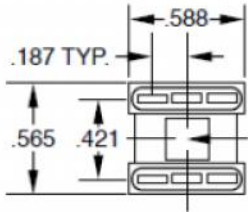
Part #'s: 1001  
1002

Part # With 6 Terminals	Sections	Standoffs
1001-01	1	No
1002-01	2	No

EI 187 x 3/16

## Insulated Lead Slots

Uses Terminal #: 201

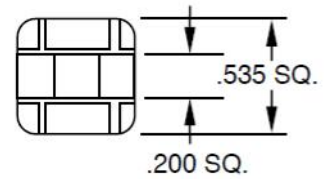
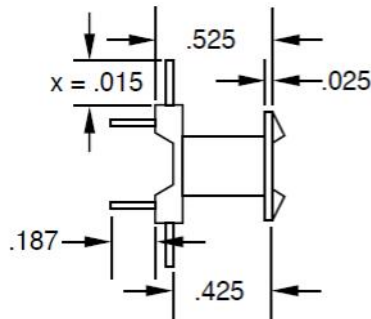
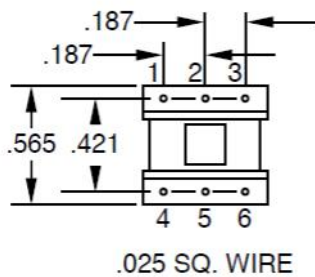


\*REFERENCE DIM. BASED ON LUG POCKET CENTERS

Part #: 1003

Part # With 6 Wires	Sections	Standoffs
1003-01	1	No

EI 187 x 3/16



# Vertical PC Bobbins

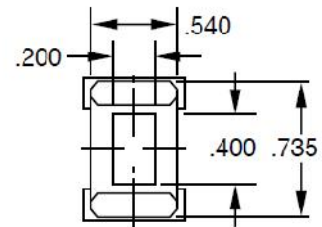
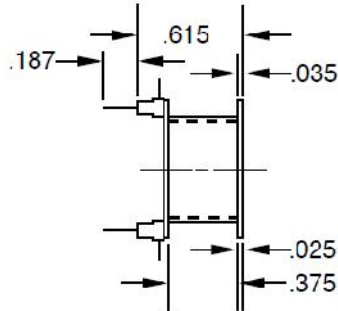
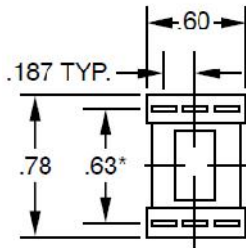
Part #: 1004

Part # With 6 Terminals	Sections	Standoffs
1004-01	1	No

EI 187 x 3/8

**Insulated Lead Slots**

**Uses Terminal #: 201**



\*REFERENCE DIM. BASED ON LUG POCKET CENTERS

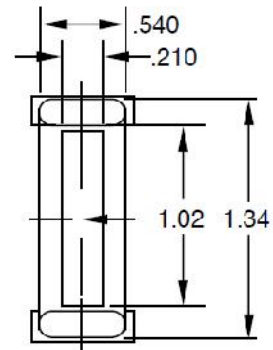
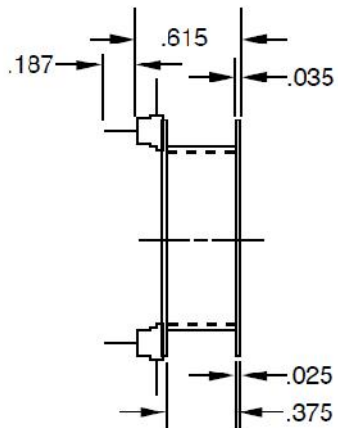
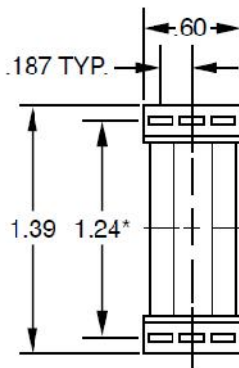
Part #: 1006

Part # With 6 Terminals	Sections	Standoffs
1006-01	1	No

EI 187 x 1

**Insulated Lead Slots**

**Uses Terminal #: 201**



\*REFERENCE DIM. BASED ON LUG POCKET CENTERS

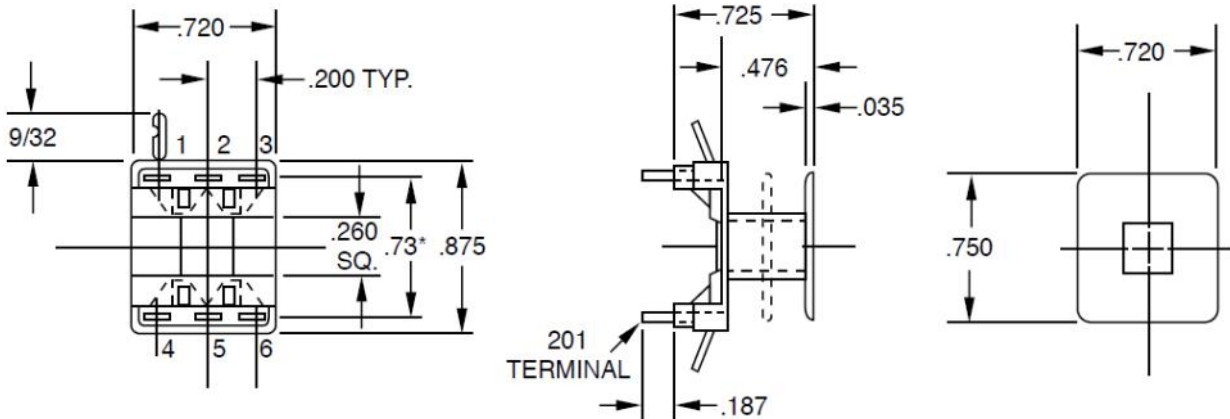
# Vertical PC Bobbins

Part #'s: 1011  
1012

Part # With 6 Terminals	Sections	Standoffs
1011-01	1	No
1012-01	2	No

EE 24-25 x 1/4

Uses Terminal #: 201



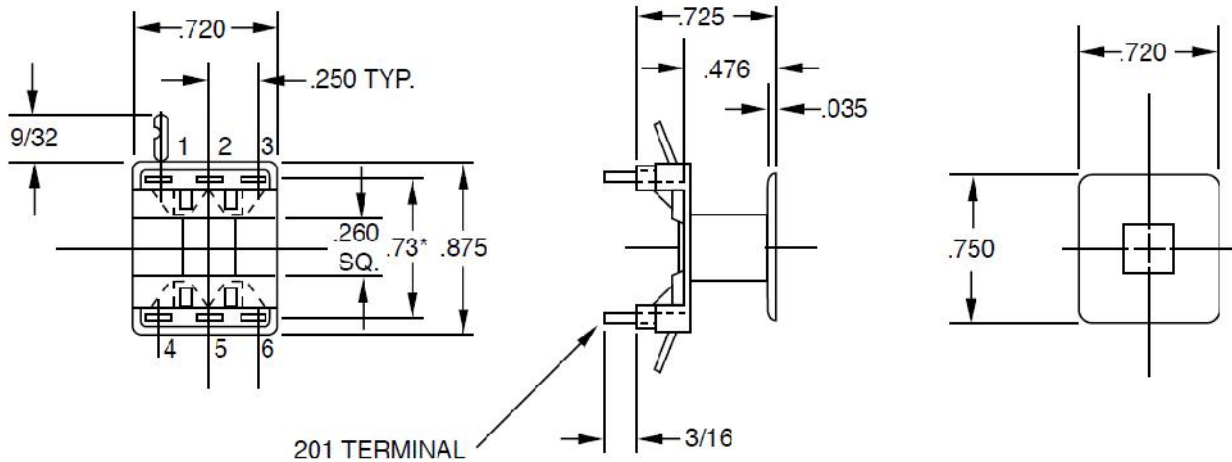
\*REFERENCE DIM. BASED ON LUG POCKET CENTERS

Part #: 1021

Part # With 6 Terminals	Sections	Standoffs
1021-01	1	No

EE 24-25 x 1/4

Uses Terminal #: 201



\*REFERENCE DIM. BASED ON LUG POCKET CENTERS

# Vertical PC Bobbins

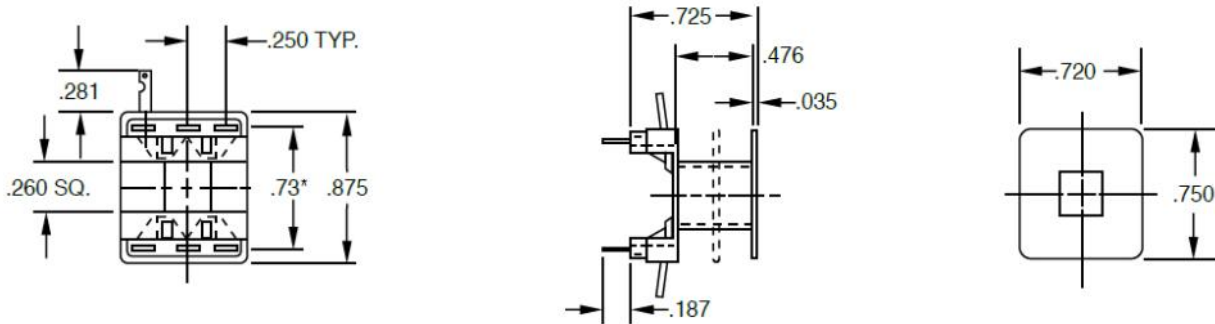
Part #'s: 1022  
1023

Part # With 6 Terminals	Sections	Standoffs
1022-01	1	No
1023-01	2	No

EE 24-25 x 1/4

Insulated Lead Slots

Uses Terminal #: 201



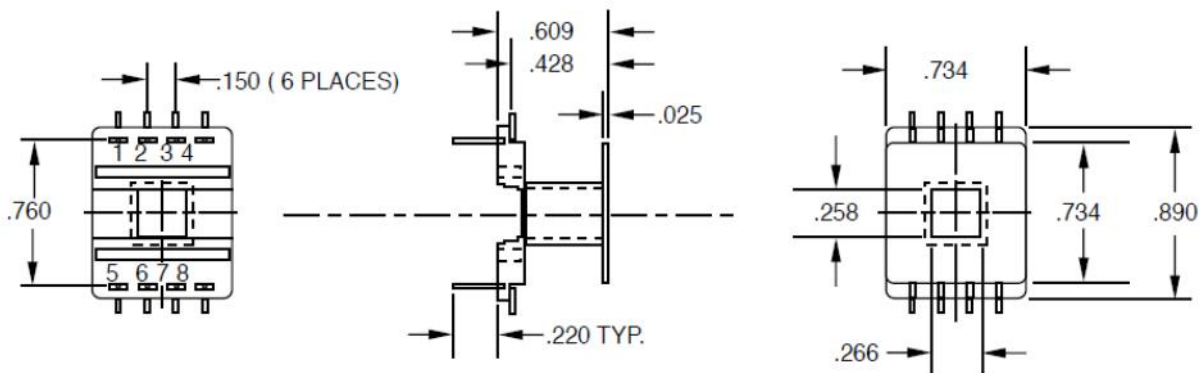
\*REFERENCE DIM. BASED ON LUG POCKET CENTERS

Part #: 1025

Part # With 8 Terminals	Sections	Standoffs
1025-01	1	No

EE 24-25 x 1/4

Uses Terminal #: 311



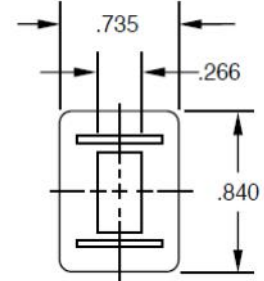
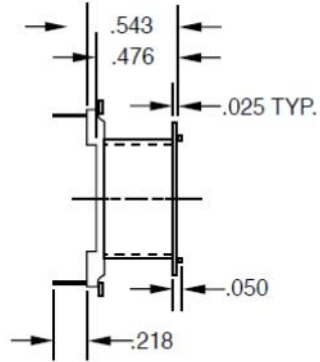
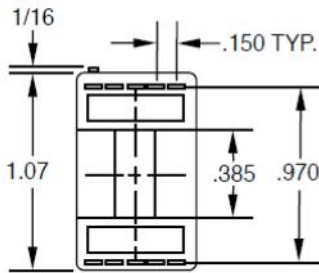
# Vertical PC Bobbins

Part #: 1026

Part # With 10 Terminals	Sections	Standoffs
1026-01	1	No

EE 24-25 x 3/8

Uses Terminal #: 323

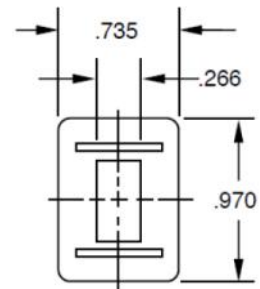
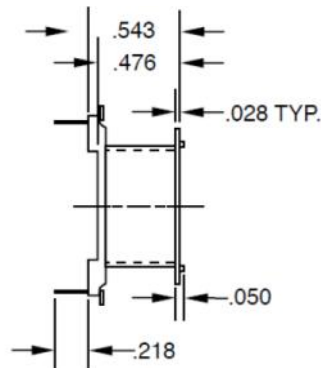
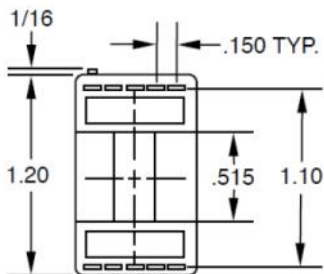


Part #: 1027

Part # With 10 Terminals	Sections	Standoffs
1027-01	1	No

EE 24-25 x 1/2

Uses Terminal #: 323



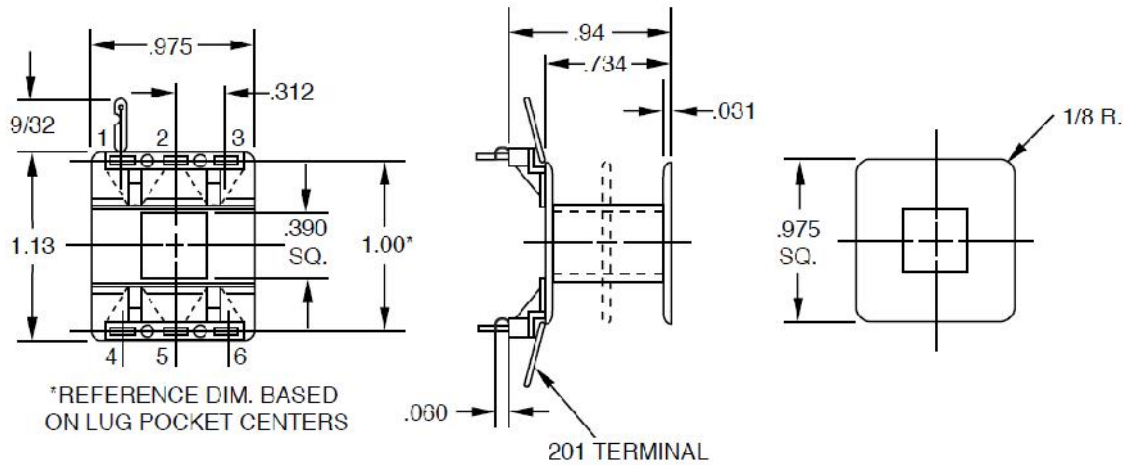
# Vertical PC Bobbins

Part #'s: 1031  
1032  
1033  
1034

EI 375 x 3/8

Part # With 6 Terminals	Sections	Standoffs
1031-01	1	No
1032-01	1	Yes
1033-01	2	No
1034-01	2	Yes

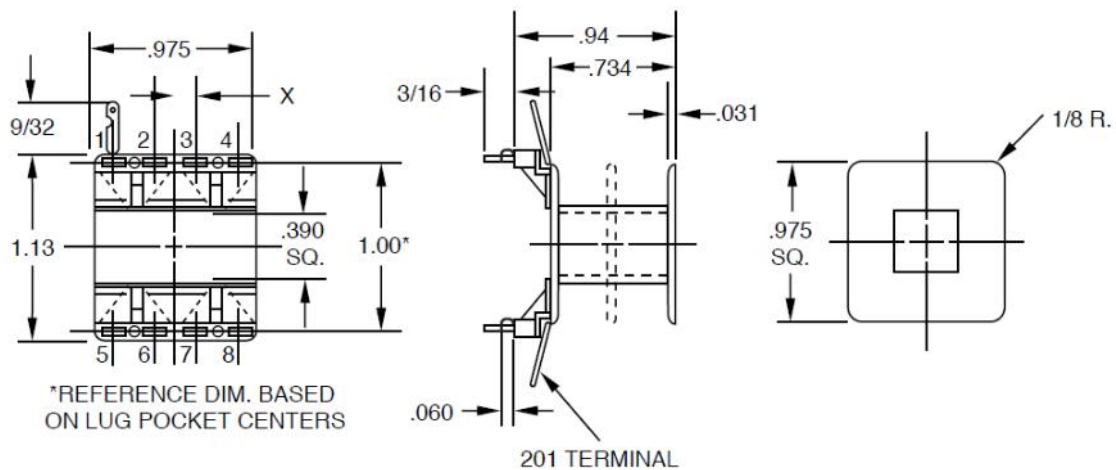
Uses Terminal #: 201



Part #'s: 1041  
1042  
1043  
1044  
1045  
1046  
1047  
1048

EI 375 x 3/8

Part # With 8 Terminals	Sections	Standoffs	X Dimension
1041-01	1	No	.250
1042-01	1	Yes	.250
1043-01	2	No	.250
1044-01	2	Yes	.250
1045-01	1	No	.200
1046-01	1	Yes	.200
1047-01	2	No	.200
1048-01	2	Yes	.200



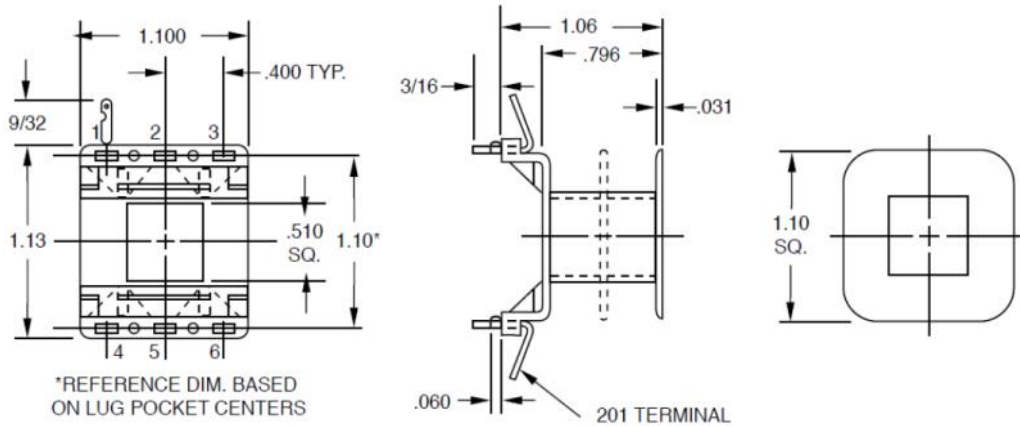
# Vertical PC Bobbins

Part #'s: 1051  
1052  
1053  
1054

EI 21 x 1/2

Part # With 6 Terminals	Sections	Standoffs
1051-01	1	No
1052-01	1	Yes
1053-01	2	No
1054-01	2	Yes

**Insulated Lead Slots**

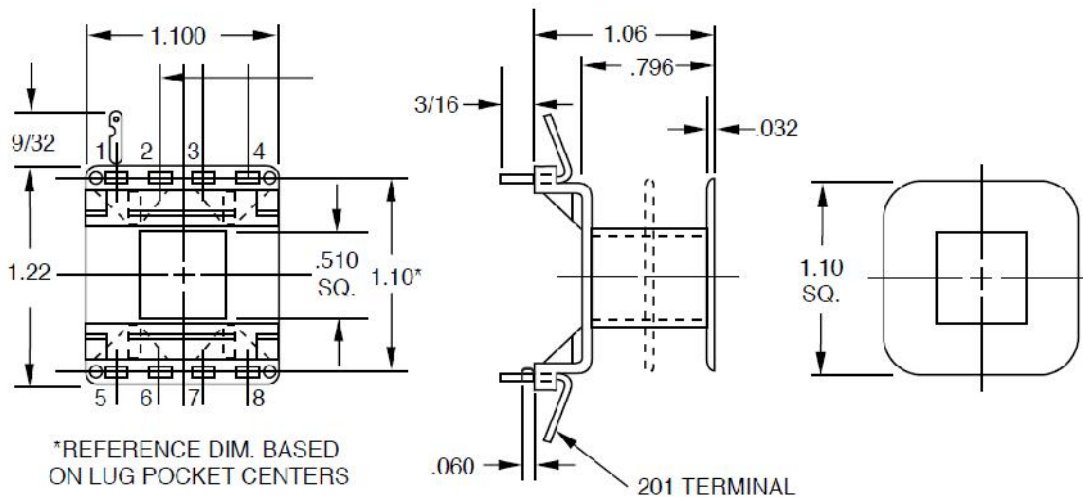


Part #'s: 1061  
1062  
1063  
1064  
1065  
1066  
1067  
1068

EI 21 x 1/2

Part # With 8 Terminals	Sections	Standoffs	X Dimension
1061-01	1	No	.250
1062-01	1	Yes	.250
1063-01	2	No	.250
1064-01	2	Yes	.250
1065-01	1	No	.267
1066-01	2	No	.267
1067-01	1	No	.275
1068-01	2	No	.275

**Insulated Lead Slots**



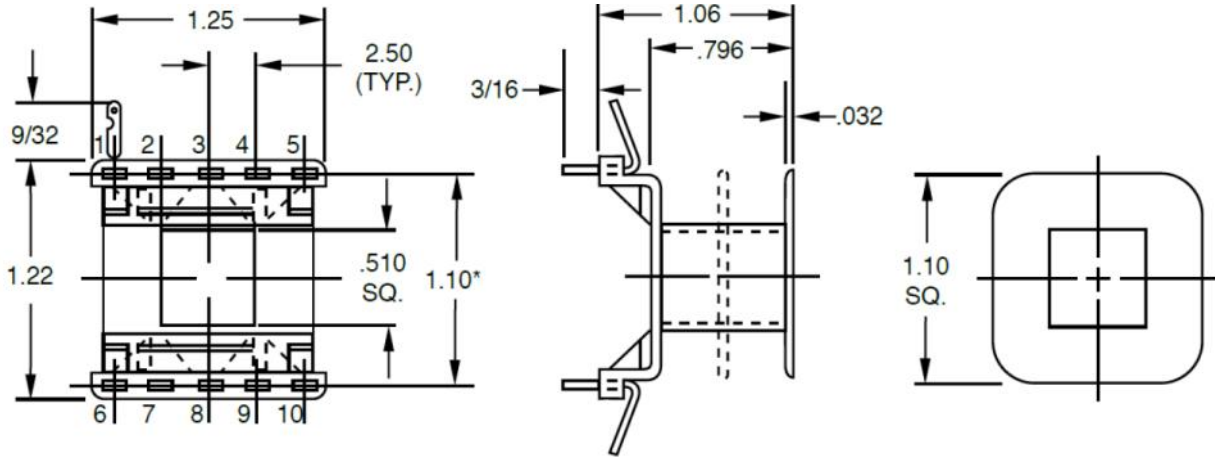
# Vertical PC Bobbins

Part #'s: 1055  
1056

Part # With 10 Terminals	Sections
1055-01	1
1056-01	2

EI 21 x 1/2

**Insulated Lead Slots Uses Terminal #: 201**



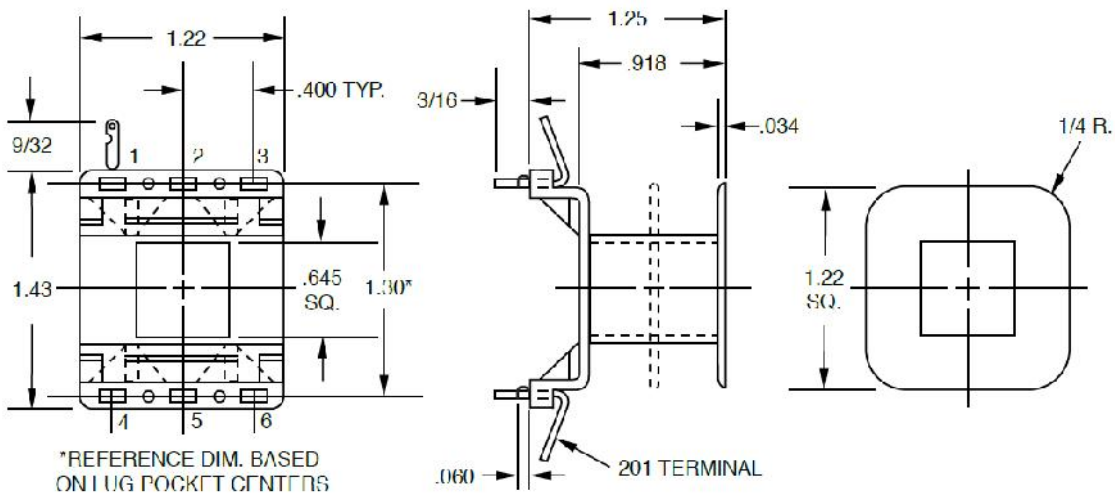
Part #'s: 1071  
1072  
1073  
1074

Part # With 6 Terminals	Sections	Standoffs
1071-01	1	No
1072-01	1	Yes
1073-01	2	No
1074-01	2	Yes

EI 625 x 5/8

**Insulated Lead Slots**

**Uses Terminal #: 201**





# Vertical PC Bobbins

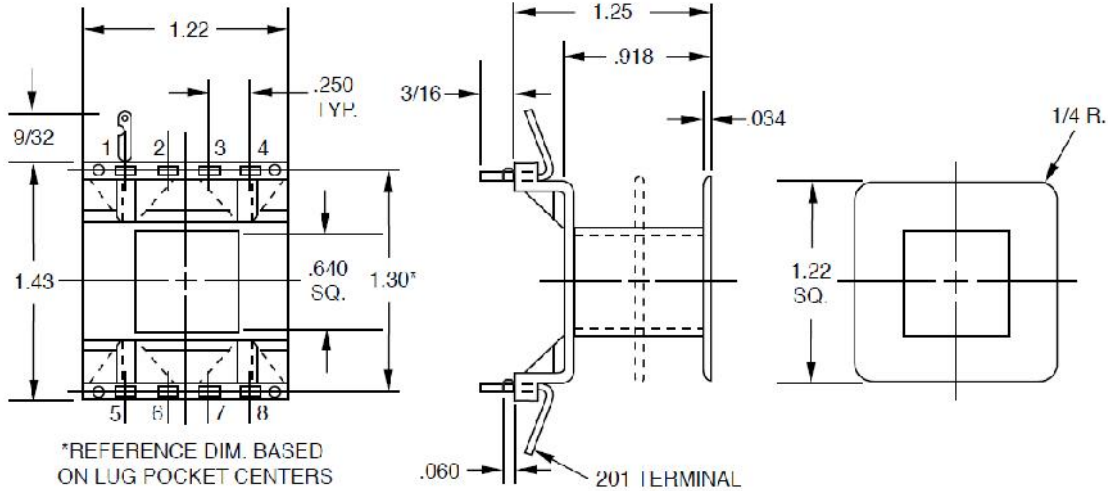
Part #'s: 1081  
 1082  
 1083  
 1084

EI 625 x 5/8

Part # With 8 Terminals	Sections	Standoffs
1081-01	1	No
1082-01	1	Yes
1083-01	2	No
1084-01	2	Yes

## Insulated Lead Slots

Uses Terminal #: 201



Part #'s: 1091  
 1092

EI 625 x 5/8

Part # With 10 Terminals	Sections	Standoffs
1091-01	1	No
1092-01	2	No

## Insulated Lead Slots

Uses Terminal #: 201

