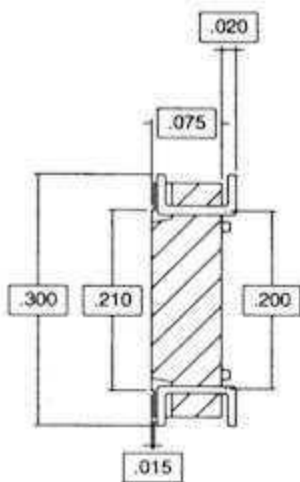
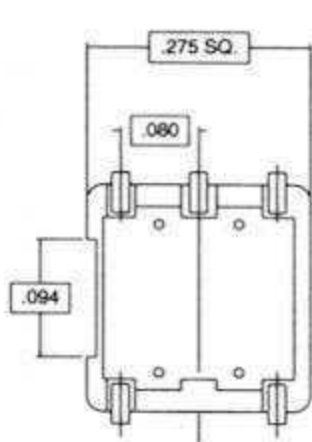


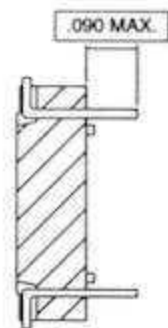
TOROID MOUNTS

(Horizontal with Terminals)

Surface Mount



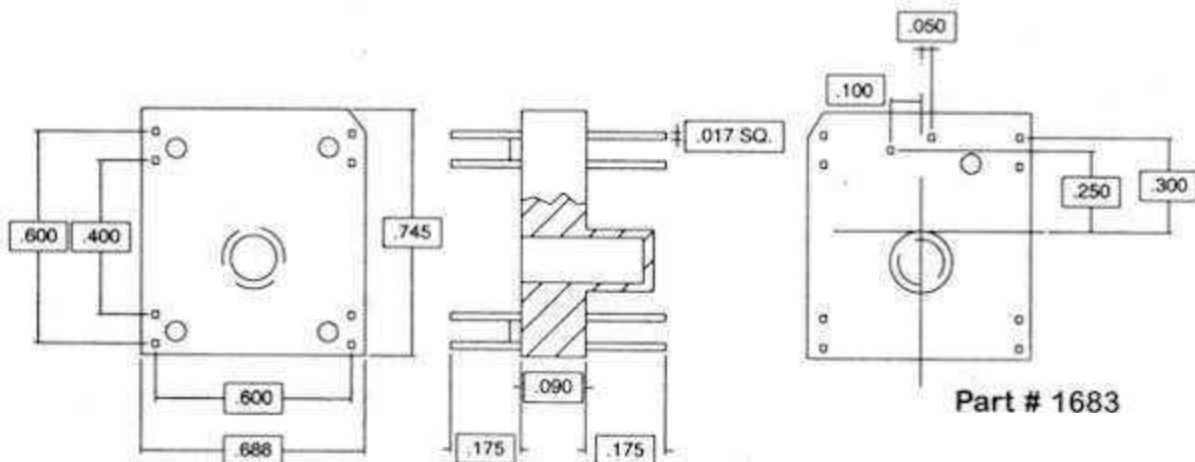
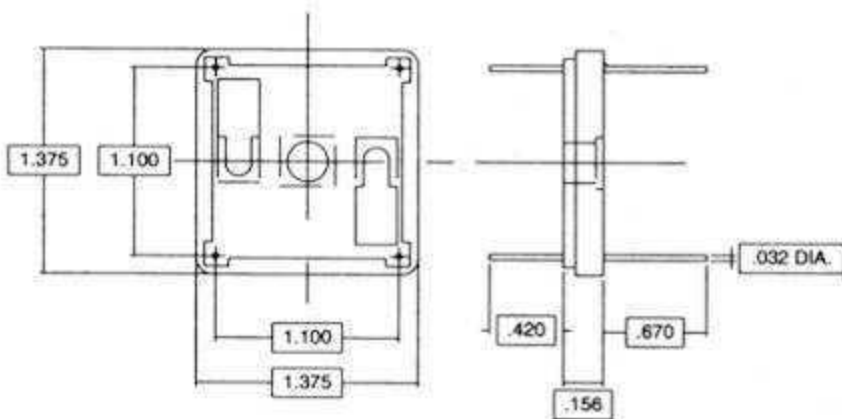
Thru-hole



Part # 1954

Terminals- .010" x .018"

Part # 1817



Part # 1683