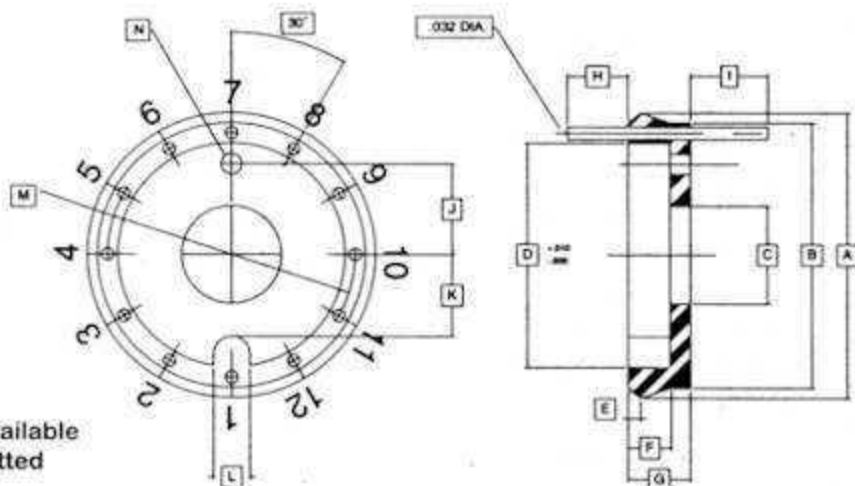
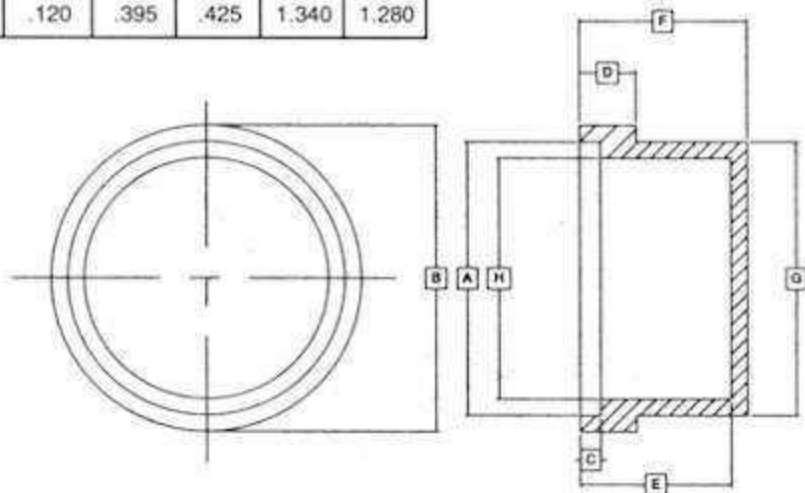


# TERMINAL PLATE SHELL / TERMINAL PLATE

Part Number	Dimensions in Inches							
	A	B	C	D	E	F	G	H
SH-1408	.720	.780	.080	.120	.370	.400	.750	.690
SH-1811	.928	.988	.080	.120	.395	.425	.958	.898
SH-2213	1.210	1.270	.080	.120	.395	.425	1.240	1.180
SH-2616	1.310	1.370	.080	.120	.395	.425	1.340	1.280



Terminals- .032 Dia. Phos Bronze

NOTE: TP1811 and TP2213 are available with 11 pins only - #1 position omitted

Part Number	Dimensions in Inches													
	A	B	C	D	E	F	G	H	I	J	K	L	M	N
TP-1408	.725	.677	.259	.570	.024	.048	.100	.270	.270	.207	.245	.060	.625	.063
TP-1811	.923	.863	.330	.730	.030	.060	.100	.270	.270	.271	.325	.060	.796	.094
TP-2213	1.205	1.145	.380	1.020	.030	.060	.100	.270	.270	N/A	.447	.080	1.076	N/A
TP-2616	1.304	1.220	.466	1.034	.042	.054	.100	.270	.270	.423	.477	.060	1.125	.094