

# EP 7

Fig. 1

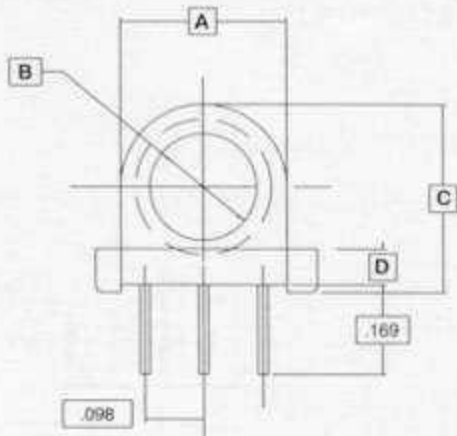


Fig. 2

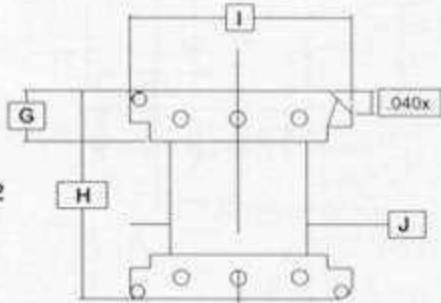
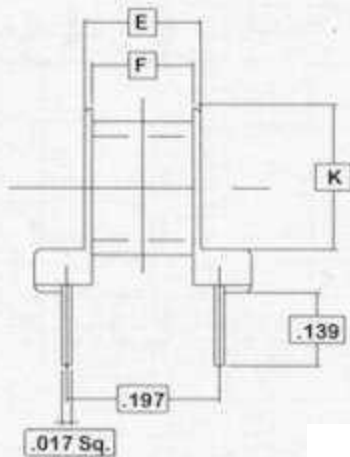


Fig. 3



# EP 13

Fig. 4

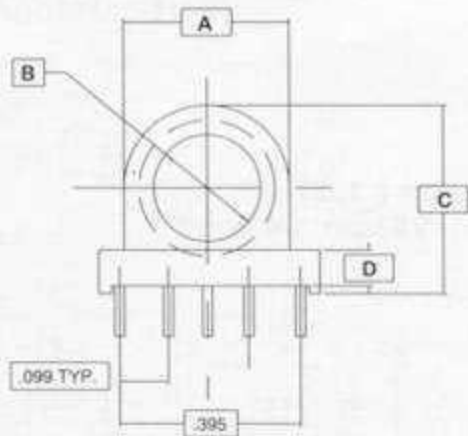


Fig. 5

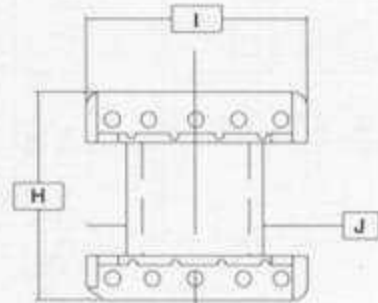
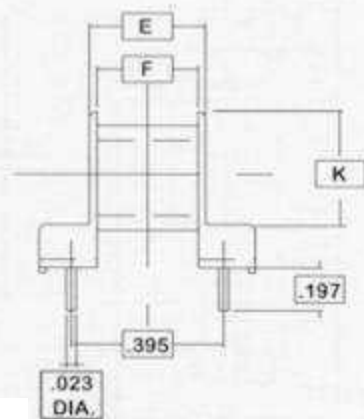


Fig. 6



Part Number	Ref.	A	B	C	D	E	F	G	H	I	J	K
1610 (EP7)	Fig.1,2,3	.276	.138	.318	.079	.188	.128	.084	.290	.362	.177	.209
1921 (EP13)	Fig.4,5,6	.376	.181	.424	.106	.348	.300	.114	.532	.520	.232	.281