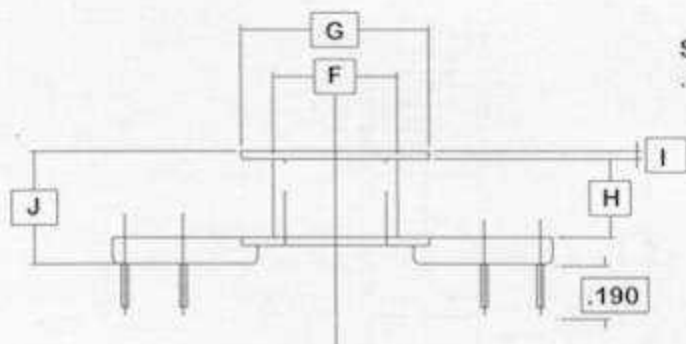
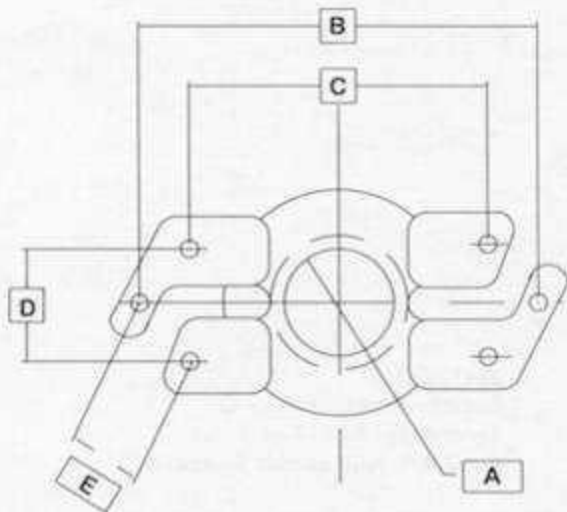
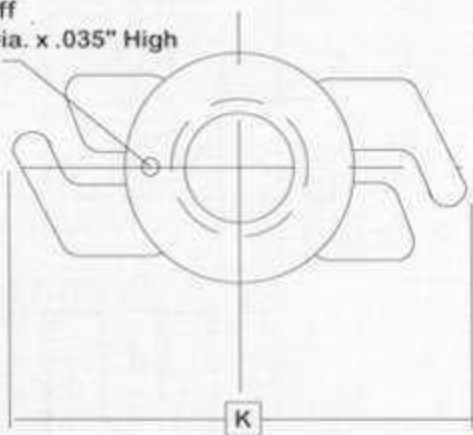


RM 5 / RM 6



Standoff
.050" Dia. x .035" High



Terminals- .020" Dia. Steel (RM5)
.024" Dia. Steel (RM6)
Available with center flange

Part Number	A	B	C	D	E	F	G	H	I	J	K
1937 (RM5)	.200	.560	.425	.138	.098	.238	.390	.190	.022	.275	.646
1941-1 (RM6)	.258	.710	.568	.138	.098	.284	.482	.258	.018	.346	.790